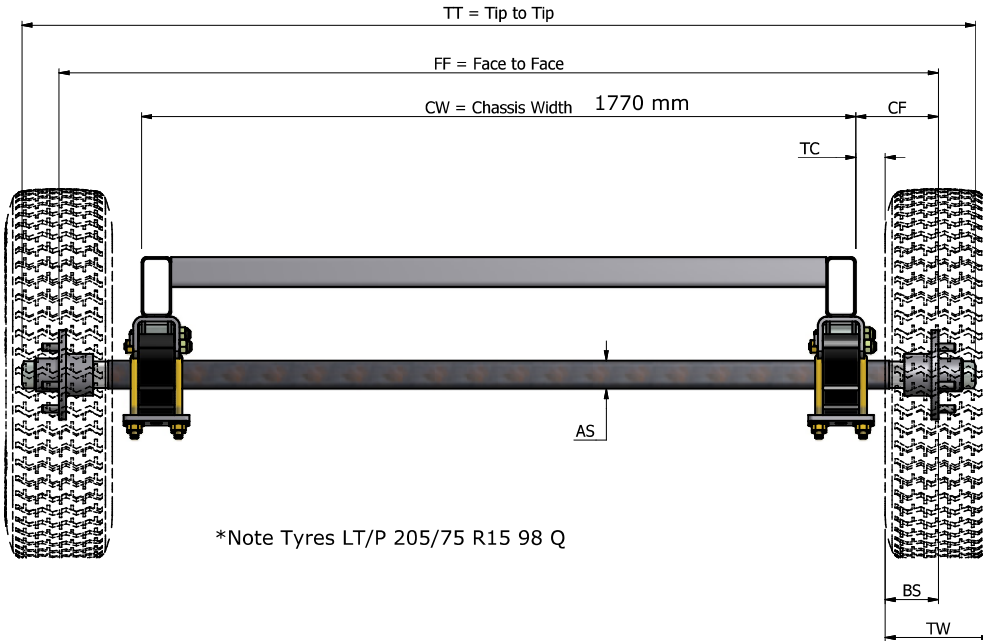




## Parts and repairs for all Trailers, Caravans & Campers



Axle Dimensions		
Dimension	Name	Description
TT	Tip to Tip	Total length of axle from end to end
FF	Face to Face	Distance from one wheel face to the other (track width)
CW	Chassis Width	Distance between outside of chassis rails
CF	Chassis to Face	Distance from outside of chassis rail to wheel face
TC	Tyre Clearance	Distance between outside of chassis rail to inside wall of tyre
AS	Axle Section	Steel section of axle (45 square, 50 rounds etc)
TW	Tread Width	Tread width of tyre
BS	Back Space	Distance from inside tyre wall to wheel face

### Axle Selection

Before sourcing an axle you will need to decide on the following:

- Trailer ATM/GTM
- Single or Tandem axle
- Choice of brake type
- Tyre size and stud pattern

Based on this information the suspension supplier will recommend a minimum axle section, hub/disc/drum size, bearing size and axle length for your trailer.

	Dimension		Dimension	
Chassis Width (CW)	<input type="text"/>	x 1 =	<input type="text"/>	A
Tyre Clearance (TC)	<input type="text" value="50"/>	x 2 =	<input type="text" value="100"/>	B
Tyre Back Space (BS)	<input type="text"/>	x 2 =	<input type="text"/>	C
Face to Face (FF) = A + B + C	<input type="text"/>		<input type="text"/>	D

Tip to Tip = D +

(TT) = D + 110mm For SL Turn (1500Kg Large inner - small Outer bearing)

(TT) = D + 120mm For Parallel Turn (1800Kg Large inner - Large Outer bearing)

(TT) = D + 170mm For Dexter Turn (2250Kg)

Tip to Tip = D +